

# Multimastic SP

Firestop Mastic



**Fire resistance**  
≤ 240 minutes



**Acoustic insulation**  
Rw 62 dB



**Working life**  
30 years



**Paintable**  
after 24 hrs

## Firestop Mastic

Multimastic SP is an acrylic-based firestop mastic for the fire-resistant sealing of openings around cable trays, pipe and cable penetrations and for glueing Multimastic FB1/FB2 firestop boards (together). Multimastic SP expands when exposed to heat and creates a fire-resistant and smoke-proof seal to adjacent rooms.

Multimastic SP forms part of the Mulcol® Penetration Seal System. Multimastic SP can also be used in combination with the Multimastic C firestop coating.

### Advantages

- ✓ CE-certified
- ✓ Very high acoustic insulation
- ✓ Environmentally and user-friendly
- ✓ Quick and easy application
- ✓ No primer needed for use on most surfaces
- ✓ Dries fast
- ✓ Remains elastic during movement up to 12.5% (ISO 11600)
- ✓ Working life of 30 years

### Applications

- ✓ Rigid walls and floors
- ✓ Flexible walls
- ✓ Firestop boards
- ✓ Metal pipes with a diameter of up to 324 mm with insulation
- ✓ Cable trays, cable ladders, electric cables and cable bundles
- ✓ Aluminium composite pipes with and without insulation
- ✓ Plastic pipes, blank seals and joints

### Technical data

Colour	White
Shelf life	18 months in unopened packaging at a temperature between +5 °C and +30 °C
Application temperature	+5 °C to +30 °C
Temperature resistance	-20 °C to +70 °C
Fully hardened	3 to 5 days, depending on thickness and temperature
LEED VOC	42 - 62 g/l
Reaction to fire	Class D-s1, d1 in accordance with EN 13501-1

## Packaging

	Contents	Pallet	Pallet	Article number
Bucket	6 kilos	80 buckets	480 kilos	203001006

## Technical documents available

- ✓ Product Data Sheet (PDS)
- ✓ Technical Data Sheet (TDS)
- ✓ Safety Data Sheet (SDS)
- ✓ Installation Manual
- ✓ EC certificate 0843-CPR-0327
- ✓ Emission reports
- ✓ Acoustic report no. BMT/MTZ/F13079/01/AR3

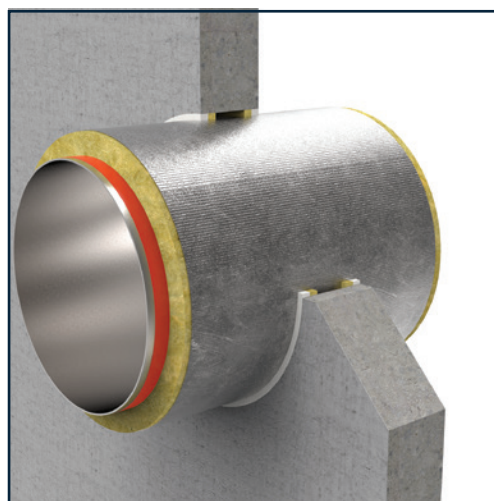
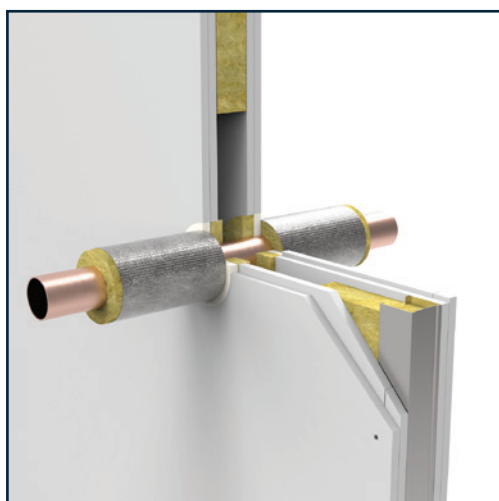
## Approvals

- ✓ Tested in accordance with EN 1366-3
- ✓ Classification in accordance with EN 13501-2
- ✓ Certified in accordance with ETAG 026-2
- ✓ ETA report 16/0565 and ETA 16/0563
- ✓ Declaration of Performance (DoP) no. PSS-SP 0843-CPR-0327

The above documents are available from your Mulcol contact person or via [www.mulcol.com](http://www.mulcol.com)



**BMTRADA**



Virtual Reality



Augmented Reality



Information

