

Multimastic C

Firestop Coating



Fire resistance
≤ 240 minutes



Applicability
Can be used outdoors



Working life
25 years



Paintable
After 24 hrs

Firestop Coating

Multimastic C is a waterborne firestop coating based on a sustainable polymer system. Among other things, this coating is used for the fire-resistant treatment of rock wool Multimastic FB1 / FB2 firestop boards and around cable trays and pipe and cable penetrations. This provides a fire-resistant and smoke-proof seal to adjacent rooms.

Multimastic C forms part of the Mulcol® Penetration Seal System. Multimastic C must be used in combination with the Multimastic FB1/FB2 firestop boards and Multimastic SP firestop mastic.

Advantages

- ✓ CE-certified
- ✓ Quick and easy application
- ✓ Environmentally and user-friendly
- ✓ Permanently flexible
- ✓ Can be used outdoors (ask for the conditions)
- ✓ Water and frost-resistant once fully hardened
- ✓ Working life of 25 years

Applications

- ✓ Rigid walls and floors
- ✓ Flexible walls
- ✓ Firestop boards
- ✓ Metal pipes up to Ø 324 mm with insulation
- ✓ Cable trays, cable ladders, electric cables and cable bundles
- ✓ Blank seals and joints
- ✓ Aluminium composite pipes with insulation

Technical data

Colour	White
Shelf life	12 months in unopened packaging at a temperature between +5 °C and +30 °C
Application temperature	+10 °C to +30 °C
Temperature resistance	-30 °C to +80 °C (once hardened)
Fully hardened	3 to 5 days, depending on thickness and temperature
BREEAM VOC	13 g/l
Reaction to fire	Class F in accordance with EN 13501-1

Packaging

	Contents	Pallet	Pallet	Article number
Bucket	6 kilos	80 buckets	480 kilos	202001006
Bucket	12,5 kilos	40 buckets	500 kilos	202001125

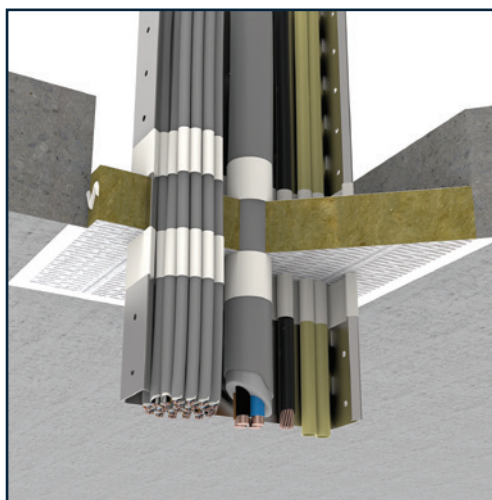
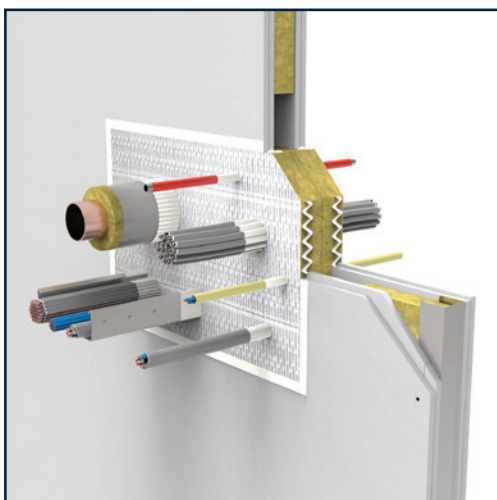
Technical documents available

- ✓ Product Data Sheet (PDS)
- ✓ Technical Data Sheet (TDS)
- ✓ Safety Data Sheet (SDS)
- ✓ Installation Manual
- ✓ EC certificate 0843-CPR-0328
- ✓ Emission reports
- ✓ Acoustic report no. BMT/MTZ/F13079/01/AR1

Approvals

- ✓ Tested in accordance with EN 1366-3 / EN 1366-4
- ✓ Classification in accordance with EN 13501-2
- ✓ Certified in accordance with ETAG 026-2 / ETAG 026-3
- ✓ ETA report 16/0563
- ✓ Declaration of Performance (DoP) no. PSS-C 0843-CPR-0328

The above documents are available from your Mulcol contact person or via www.mulcol.com



Virtual Reality



Augmented Reality



Information



Mulcol International composed the technical data on this sheet with great care and reserves the right to change product properties without prior notification. The user of this data remains responsible at all times for the correct application thereof. In the event of a lack of clarity or doubt, we recommend consulting Mulcol International to confirm that this data complies with the required application.